

PD 125

PRESTAZIONI

PERFORMANCES

LEISTUNG

MPD 125

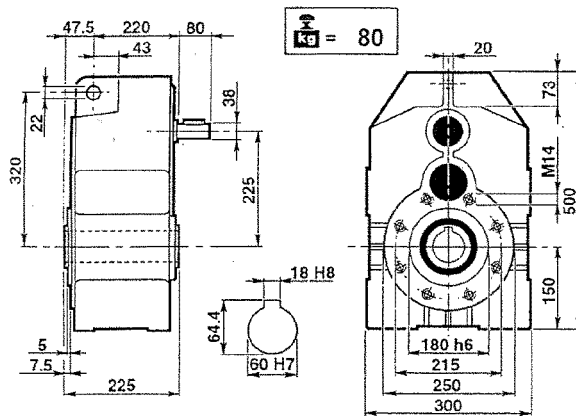
n ₁	i	n ₂	M ₂ (Nm)	kW ₁	HP ₁	RD
2800	10.48	267	1440	42.0	57.1	0.96
	13.49	208	1440	32.6	44.3	0.96
	16.28	172	1440	27.0	36.7	0.96
	16.43	170	1305	24.3	33.0	0.96
	18.60	151	1620	26.6	36.2	0.96
	20.96	134	1530	22.3	30.3	0.96
	25.52	110	1485	17.8	24.2	0.96
28.90	97	1305	13.8	18.8	0.96	
1400	10.48	134	1600	23.3	31.7	0.96
	13.49	104	1600	18.1	24.6	0.96
	16.28	86	1600	15.0	20.4	0.96
	16.43	85	1450	13.5	18.3	0.96
	18.60	75	1800	14.8	20.1	0.96
	20.96	67	1700	12.4	16.8	0.96
	25.52	55	1650	9.9	13.4	0.96
28.90	48	1450	7.7	10.4	0.96	
900	10.48	86	1760	16.5	22.4	0.96
	13.49	67	1760	12.8	17.4	0.96
	16.28	55	1760	10.6	14.4	0.96
	16.43	55	1595	9.5	13.0	0.96
	18.60	48	1980	10.5	14.2	0.96
	20.96	43	1870	8.8	11.9	0.96
	25.52	35	1815	7.0	9.5	0.96
28.90	31	1595	5.4	7.4	0.96	

n ₁	i	n ₂	M ₂ (Nm)	kW ₁	HP ₁	RD	fs	P.A.M.
2800	10.48	267	635	18.5	25	0.96	2.27	42/350 - 38/300
	13.49	208	817	18.5	25	0.96	1.76	42/350 - 38/300
	16.28	172	986	18.5	25	0.96	1.46	42/350 - 38/300
	16.43	170	995	18.5	25	0.96	1.31	42/350 - 38/300
	18.60	151	1127	18.5	25	0.96	1.44	42/350 - 38/300
	20.96	134	1270	18.5	25	0.96	1.21	42/350 - 38/300
	25.52	110	1253	15	20	0.96	1.18	42/350 - 38/300
28.90	97	1041	11	15	0.96	1.25	42/350 - 38/300	
1400	10.48	134	1029	15	20	0.96	1.55	42/350 - 38/300
	13.49	104	1325	15	20	0.96	1.21	42/350 - 38/300
	16.28	86	1599	15	20	0.96	1.00	42/350 - 38/300
	16.43	85	1184	11	15	0.96	1.23	42/350 - 38/300
	18.60	75	1827	15	20	0.96	0.99	42/350 - 38/300
	20.96	67	1510	11	15	0.96	1.13	42/350 - 38/300
	25.52	55	1537	9.2	12.5	0.96	1.07	42/350 - 38/300
28.90	48	1419	7.5	10	0.96	1.02	42/350 - 38/300	
900	10.48	86	1174	11	15	0.96	1.50	42/350 - 38/300
	13.49	67	1512	11	15	0.96	1.16	42/350 - 38/300
	16.28	55	1824	11	15	0.96	0.96	42/350 - 38/300
	16.43	55	1255	7.5	10	0.96	1.27	42/350 - 38/300
	18.60	48	2084	11	15	0.96	0.95	42/350 - 38/300
	20.96	43	1601	7.5	10	0.96	1.17	42/350 - 38/300
	25.52	35	1430	5.5	7.5	0.96	1.27	42/350 - 38/300
28.90	31	1619	5.5	7.5	0.96	0.99	42/350 - 38/300	

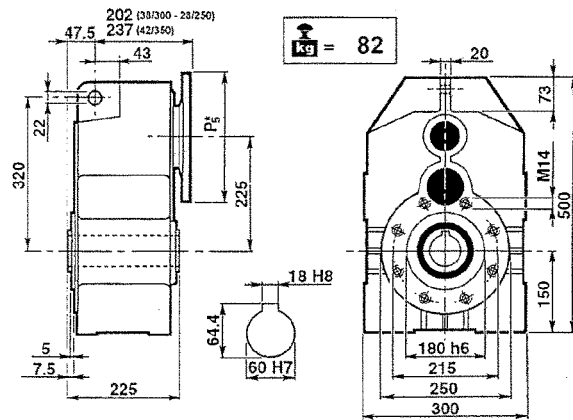
DIMENSIONI D'INGOMBRO

OVERALL DIMENSIONS

ALLGEMEINE ABMESSUNGEN



PD 125



MPD 125

P₅* : Vedere i PAM per ogni singola versione
P₅* : See PAM size for each single version
P₅* : Siehe PAM Grösse für jede Ausführung

CARICHI RADIALI (N)

OVERHUNG LOADS (N)

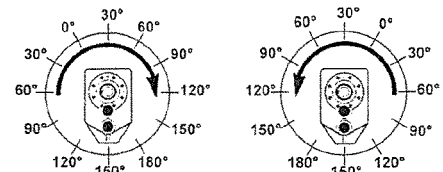
RADIALE BELASTUNGEN (N)

ALBERO VELOCE / INPUT SHAFT / EINGANGSWELLE		
1400 min ⁻¹	PD 125	PD 125/3
	2100	1600

ALBERO LENTO / OUTPUT SHAFT / ABTRIEBSWELLE							
PD 125 - PD 125/3							
min ⁻¹	0°	30°	60°	90°	120°	150°	180°
20	18837	19474	21133	23681	26607	28896	29799
40	14245	14889	16415	18963	21896	24310	25211
60	12096	12604	14133	16678	19607	22022	23041
80	10567	11078	12604	15152	18081	20626	21515
100	9548	10059	11456	13993	16926	19439	20496
120	8782	9167	10693	13115	16170	18715	19733
140	8148	8505	9921	12168	15003	17364	18309
160	7637	7972	9299	11405	14063	16275	17161

Rotazione oraria
Clockwise
rotation
Uhrzeigersinn

Rotazione antioraria
Anticlockwise
rotation
Gegenuhrzeigersinn



PD 125/3

PRESTAZIONI

PERFORMANCES

LEISTUNG

MPD 125/3

n_1	i	n_2	M_2 (Nm)	kW_1	HP_1	RD
2800	26.47	106	1890	22.8	30.9	0.92
	30.32	92	1395	14.7	19.9	0.92
	34.08	82	1800	16.8	22.9	0.92
	38.46	73	1656	13.7	18.7	0.92
	41.49	67	1620	12.4	16.9	0.92
	47.25	59	1395	9.4	12.8	0.92
	53.11	53	1818	10.9	14.8	0.92
	59.60	47	1890	10.1	13.7	0.92
	64.66	43	1638	8.1	11.0	0.92
	73.22	38	1395	6.1	8.3	0.92
	93.42	30	1665	5.7	7.7	0.92
	105.79	26	1395	4.2	5.7	0.92

n_1	i	n_2	M_2 (Nm)	kW_1	HP_1	RD	f_s	P.A.M.
2800	26.47	106	914	11	15	0.92	2.07	38/300
	30.32	92	1047	11	15	0.92	1.33	38/300
	34.08	82	1176	11	15	0.92	1.53	38/300
	38.46	73	664	5.5	7.5	0.92	2.49	19/200
	41.49	67	1432	11	15	0.92	1.13	38/300
	47.25	59	815	5.5	7.5	0.92	1.71	28/250
	53.11	53	917	5.5	7.5	0.92	1.98	28/250
	59.60	47	1029	5.5	7.5	0.92	1.84	19/200
	64.66	43	1116	5.5	7.5	0.92	1.47	28/250
	73.22	38	1264	5.5	7.5	0.92	1.10	28/250
	93.42	30	1612	5.5	7.5	0.92	1.03	19/200
	105.79	26	1328	4.0	7.5	0.92	1.05	19/200

n_1	i	n_2	M_2 (Nm)	kW_1	HP_1	RD
1400	26.47	53	2100	12.6	17.2	0.92
	30.32	46	1550	8.1	11.1	0.92
	34.08	41	2000	9.4	12.7	0.92
	38.46	36	1840	7.6	10.4	0.92
	41.49	34	1800	6.9	9.4	0.92
	47.25	30	1550	5.2	7.1	0.92
	53.11	26	2020	6.1	8.2	0.92
	59.60	23	2100	5.6	7.6	0.92
	64.66	22	1820	4.5	6.1	0.92
	73.22	19	1550	3.4	4.6	0.92
	93.42	15	1850	3.2	4.3	0.92
	105.79	13	1550	2.3	3.2	0.92

n_1	i	n_2	M_2 (Nm)	kW_1	HP_1	RD	f_s	P.A.M.
1400	26.47	53	1827	11	15	0.92	1.15	38/300
	30.32	46	1751	9.2	12.5	0.92	0.89	38/300
	34.08	41	1968	9.2	12.5	0.92	1.02	38/300
	38.46	36	965	4.0	5.5	0.92	1.91	19/200
	41.49	34	1432	5.5	7.48	0.92	1.26	38/300
	47.25	30	1188	4.0	5.5	0.92	1.31	28/250
	53.11	26	1333	4.0	5.5	0.92	1.52	28/250
	59.60	23	1496	4.0	5.5	0.92	1.40	19/200
	64.66	22	1623	4.0	5.5	0.92	1.12	28/250
	73.22	19	1379	3.0	4.0	0.92	1.12	28/250
	93.42	15	1759	3.0	4.0	0.92	1.05	19/200
	105.79	13	1461	2.2	3.0	0.92	1.06	19/200

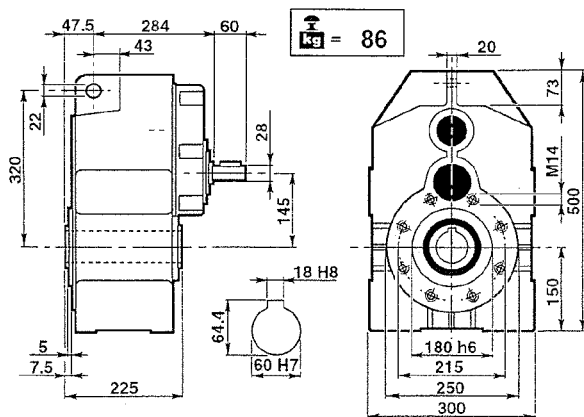
n_1	i	n_2	M_2 (Nm)	kW_1	HP_1	RD
900	26.47	34	2310	8.9	12.2	0.92
	30.32	30	1705	5.8	7.8	0.92
	34.08	26	2200	6.6	9.0	0.92
	38.46	23	2024	5.4	7.3	0.92
	41.49	22	1980	4.9	6.6	0.92
	47.25	19	1705	3.7	5.0	0.92
	53.11	17	2222	4.3	5.8	0.92
	59.60	15	2310	4.0	5.4	0.92
	64.66	14	2002	3.2	4.3	0.92
	73.22	12	1705	2.4	3.2	0.92
	93.42	10	2035	2.2	3.0	0.92
	105.79	9	1705	1.7	2.2	0.92

n_1	i	n_2	M_2 (Nm)	kW_1	HP_1	RD	f_s	P.A.M.
900	26.47	34	1421	5.5	7.5	0.92	1.63	38/300
	30.32	30	1628	5.5	7.5	0.92	1.05	38/300
	34.08	26	1830	5.5	7.5	0.92	1.20	38/300
	38.46	23	826	2.2	3.0	0.92	2.45	19/200
	41.49	22	1620	4.0	5.5	0.92	1.22	38/300
	47.25	19	1015	2.2	3	0.92	1.68	28/250
	53.11	17	1141	2.2	3	0.92	1.95	28/250
	59.60	15	1280	2.2	3	0.92	1.80	19/200
	64.66	14	1389	2.2	3	0.92	1.44	28/250
	73.22	12	1573	2.2	3	0.92	1.08	28/250
	93.42	10	2006	2.2	3	0.92	1.01	19/200
	105.79	9	1549	1.5	2	0.92	1.10	19/200

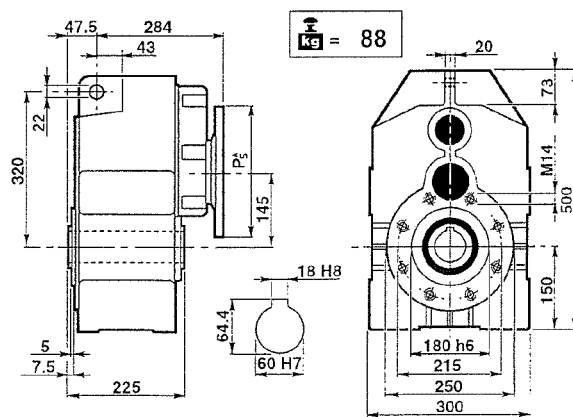
DIMENSIONI D'INGOMBRO

OVERALL DIMENSIONS

ALLGEMEINE ABMESSUNGEN



PD 125/3



MPD 125/3

P_5^* : Vedere i PAM per ogni singola versione
 P_5^* : See PAM size for each single version
 P_5^* : Siehe PAM Grösse für jede Ausführung